

Scout™ Pro

Portable Electronic Balances



The Latest in the Scout™ Line of Portable Balances – The Ohaus Scout *Pro*!

Designed for use in laboratory, industrial or education applications, the Ohaus Scout *Pro* continues the tradition set by the Ohaus Scout and Scout II products. Featuring easy-to-use two-button operation, a high-contrast LCD display, multiple weighing units, four application modes, and the option of either RS232 or USB connectivity, the Scout *Pro* is the portable balance for your needs!

- **Multiple Weighing Units** – Including grams, kilograms, pounds, ounces, a combined pound:ounce display, Troy ounces and pennyweights
- **Multiple Application Modes** – Including enhanced parts counting, percentage weighing, totalization, and display hold application modes
- **Easy to Use** – The high-contrast LCD display combined with two key operation makes the Scout *Pro* a snap to operate
- **USB or RS232 Connectivity** – Quickly-installed option with integral cable allows data connection to PC or printer
- **Easy to Clean** – Removable stainless steel weighing platform, sealed front panel and molded spill ring help keep the Scout *Pro* clean
- **Battery or AC Power** – Uses 4 "AA" batteries with auto shut-off feature for 30 hours of operation, or the Scout *Pro* can be run on the included AC powerpack
- **Integral Weigh-Below Hook** – Critical for density or specific gravity determination

Scout™ Pro Portable Electronic Balances

Built-In Application Modes:

Parts Counting – The Scout Pro is designed for counting parts for inventory control, parts bagging, receiving, dispensing and ticket counting

- Select from a sample size of 5, 10, 20 or 50 pieces while in counting mode with a quick button press
- Unlike other brands, the Scout Pro features user-enabled automatic recalculation of the average piece weight – instead of counting 100 parts for a sample, count 10 and let the Scout Pro count the rest of the sample! For applications where automatic recalculation is not desired, the easy-to-use menu system allows this feature to be disabled
- The Scout Pro can also be configured for situations where only the counting feature is required



Percent Weighing – Use the *Percent Weighing* mode to compare samples for compounding, formulation, or quick weight checking. Place your reference weight on the platform, enter the weight into memory, and the display will show the percentage of the sample weight on the platform compared to the reference weight.

Totalization – Use the Scout Pro's memory function to repeatedly sum the weight on the platform for compounding and formulation. Unlike other balances, the Scout Pro allows totalization up to the limit of the display!

Display Hold – The *Display Hold* mode allows you to retain the weight of an over-sized package on the Scout Pro's display. Great for postal and shipping applications!

User-Configurable – The Scout Pro allows you to select active weighing units and modes using the two-button keypad. Unlike other brands, there are no cryptic codes to input, and the Scout Pro can be quickly configured using an on-display menu system. A built-in lockswitch prevents reconfiguration during use.

New Design for Portable or Benchtop Use



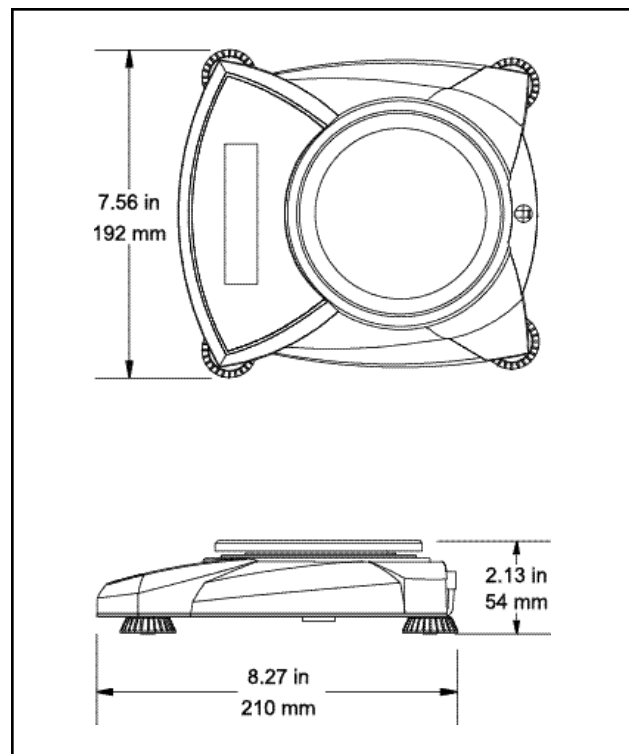
Scout Pro with Square Platforms
(6.5 x 5.5 in / 165 x 140 mm)

400g x 0.1g
600g x 0.1g
2000g x 0.1g
4000g x 0.1g
6000g x 1g



Scout Pro with Round Platforms
(4.7 in / 120 mm diameter)

200g x 0.01g
400g x 0.01g



Ohaus Scout Pro: Models and Weighing Units for Every Application .

- Parts Counting and Bagging
- Animal/Egg Weighing
- Feed Dispensing
- Medical Output Studies
- Crop and Seed Analysis
- Paint, Ink, Dye and Glaze Formulation
- Compound Preparation and Packaging
- Dental Adhesive and Compound Formulation
- Education Experiments
- Field Studies
- Parts Inventory, Quality Control and Receiving
- Filter Analysis
- Testing Kits
- Sample Gathering and Field Testing
- Food Portioning and Packaging
- Catering and Restaurant Applications
- Diet and Portion Control
- Jewelry Stores and Pawn Shops
- Injection Molding Sampling
- Shipping and Receiving
- Racquet and Golf Club Balancing
- Ticket Counting

The Scout Pro features the most common weighing units required for use in the lab, on the shop floor, or in the field:

- Grams
- Kilograms
- Ounces
- Pounds
- Troy Ounces
- Pennyweights
- Combined Pound:Ounce display

Scout Pro Unit Availability

Model	SP202	SP402	SP401	SP601	SP2001	SP4001	SP6000
Capacity	200g	400g	400g	600g	2000g	4000g	6000g
Readability	0.01g	0.01g	0.1g	0.1g	0.1g	0.1g	1g
g	Yes	Yes	Yes	Yes	Yes	Yes	Yes
kg	–	–	–	–	Yes	Yes	Yes
oz	Yes	Yes	Yes	Yes	Yes	Yes	Yes
lb	–	–	–	Yes	Yes	Yes	Yes
lb:oz	–	–	–	Yes	Yes	Yes	Yes
ozt	Yes	Yes	Yes	Yes	Yes	Yes	Yes
dwt	Yes	Yes	Yes	Yes	Yes	Yes	Yes

Connectivity

An Ohaus first, you can quickly add either an internal RS232 or a USB port with integrated cable to the Scout Pro



Security Bracket

Each Scout Pro features an integrated security bracket to prevent theft



Flexible Power

Use either the included AC wallpack, or 4 "AA" batteries to power your Scout Pro

Round or Square Stainless Steel Platform

Removable for easy cleaning

Easy-to-Clean

Sealed front panel and molded spill ring

Easy-to-View

High-Contrast LCD quickly displays weight and applications data, as well as indicators for stability, over/underload conditions, and low battery power



Lockswitch

The Scout Pro can be locked into a specific configuration using the included lockswitch

Integral Shipping Lock

Quickly accessible under the weighing pan, the shipping lock allows you to lock and go!



Weigh Below Hook

The integral weigh-below-hook on the bottom of the Scout Pro allows density determination or calculating the specific gravity of samples



Scout™ Pro Portable Electronic Balances

Specifications

Capacity (g)	200	400	400	600	2000	4000	6000
Readability (g)	0.01		0.1				1
Repeatability (Std. Dev.) (g)	0.01		0.1				1
Linearity (g)	±0.01		±0.1				±1
Capacity x Readability (kg)	N/A	N/A	N/A	N/A	2.0000 x 0.0001	4.0000 x 0.0001	6.000 x 0.001
Capacity x Readability (oz)	7.0550 x 0.0005	14.1095 x 0.0005	14.110 x 0.005	21.165 x 0.005	70.550 x 0.005	141.095 x 0.005	211.65 x 0.05
Capacity x Readability (lb)	N/A	N/A	N/A	1.3230 x 0.0005	4.4090 x 0.0005	8.8185 x 0.0005	13.230 x 0.005
Capacity x Readability (lb:oz)	N/A	N/A	N/A	1lb:5.165 oz x 0.005 oz	4lb:6.550 oz x 0.005 oz	8lb:13.095 oz x 0.005 oz	13lb:3.65 oz x 0.05 oz
Capacity x Readability (ozt)	6.4300 x 0.0005	12.8605 x 0.0005	12.860 x 0.005	19.290 x 0.005	64.300 x 0.005	128.605 x 0.005	192.90 x 0.05
Capacity x Readability (dwt)	128.60 x 0.01	257.21 x 0.01	257.2 x 0.1	385.8 x 0.1	1286 x 0.1	2572.1 x 0.1	3858 x 1
Application Modes	Parts Counting with Average Piece Weigh Recalculation, Percentage Weighing, Totalization, Display Hold						
Tare Range	To Capacity By Subtraction						
Over Range Capacity	Capacity +90d						
Stabilization Time	3 seconds						
Operating Temp. Range	50° - 104°F / 10° - 40°C						
Power Requirements	AC Adapter (Included) Or 4 AA Batteries (Not Included)						
Calibration Type	Digital Calibration from Keypad						
Calibration Mass (Full Span)	200g	400g	400g	600g	2000g	4000g	6000g
Calibration Mass (Linear)	100g	200g	200g	300g	1000g	2000g	3000g
Display Size	High Contrast LCD with 6 digits 0.6in/15mm high						
Pan Size	4.7 in / 120 mm diameter		6.5 x 5.5 in / 165 x 140 mm				
Dimensions WxHxD	7.56 x 2.13 x 8.27 in / 192 x 54 x 210 mm						
Net Weight	1.5 lb / 0.7 kg		1.8 lb / 0.8 kg				
Shipping Dimensions WxHxD	10W x 4H x 12L in / 254W x 102H x 305L mm						
Shipping Weight	3.1 lb/ 1.4 kg						
Model Numbers	SP202	SP402	SP401	SP601	SP2001	SP4001	SP6000

Standard Features/Equipment

Removable stainless steel weighing platform, high contrast LCD display, lockswitch, integral security bracket, integral shipping lock, integral weigh below hook, sealed front panel and molded spill ring, stability indicator, overload and underload indicators, low battery indicator, auto shut-off, AC adapter, span calibration mass included on 200g, 400g and 600g models.

Optional Accessories

RS232 Interface with 9-pin integral cable, USB Interface with integral cable, Security Device, SF42 Impact Printer, Converter for 9-pin to 25-pin RS232 to SF42 Impact Printer, Hard Shell Carrying Case, Sample Scoops and Calibration Masses.

Industry Leading Quality and Support

All Ohaus Scout Pro balances are manufactured under an ISO 9001 Registered Quality Management System. Our rugged construction and stringent quality control have been hallmarks of all Ohaus products for nearly a century.

Ohaus Corporation

* 19A Chapin Road
P.O. Box 2033
Pine Brook, NJ 07058 USA

Tel: 800.672.7722
973.377.9000
Fax: 973.593.0359

www.ohaus.com

With offices throughout Europe,
Asia, and Latin America

* ISO 9001

Registered Quality Management System

LUS09-xx © Copyright Ohaus Corporation

