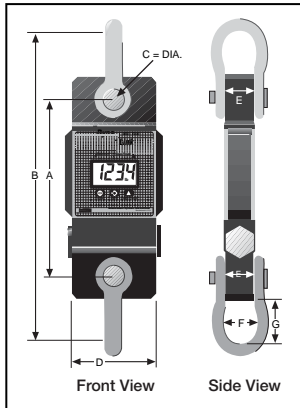


MSI-7200 Dyna-Link Specifications and Dimensions



CAPACITY	RESOLUTION	A	B	C	D	E	F	G	APPROX. SHIP WT.	OPTIONAL SHACKLE # (Crosby)
500 lb	0.5 lb	9.50 in	15.02	0.75	4.50	0.99	1.69	1.87	5 lb	G-2130
250 kg	0.2 kg	241 mm	382	19	114	25	43	48	2.3 kg	3-1/4 T
1,000 lb	1 lb	9.50 in	15.02	0.75	4.50	0.99	1.69	1.87	5 lb	G-2130
500 kg	0.5 kg	241 mm	382	19	114	25	43	48	2.3 kg	3-1/4 T
2,000 lb	2 lb	9.50 in	15.02	0.75	4.50	0.99	1.69	1.87	5 lb	G-2130
1,000 kg	1 kg	241 mm	382	19	114	25	43	48	2.3 kg	3-1/4 T
5,000 lb	5 lb	9.50 in	15.02	0.75	4.50	0.99	1.69	1.87	7 lb	G-2130
2,500 kg	2 kg	241 mm	382	19	114	25	43	48	3.2 kg	3-1/4 T
10,000 lb	10 lb	9.50 in	17.12	1.00	4.50	1.35	2.28	2.68	15 lb	G-2130
5,000 kg	5 kg	241 mm	435	25	114	34	58	68	6.8 kg	6-1/2 T
25,000 lb	20 lb	10.13 in	23.26	1.63	4.80	2.24	3.88	4.81	30 lb	G-2130
12,500 kg	10 kg	257 mm	591	41	122	57	99	122	13.6 kg	17 T
50,000 lb	50 lb	10.88 in	26.88	2.00	5.43	2.74	5.00	6.00	50 lb	G-2130
25,000 kg	20 kg	276 mm	683	51	138	70	127	152	22.7 kg	25 T
100,000 lb	100 lb	12.50 in	30.25	2.25	6.86	3.10	5.75	6.37	85 lb	G-2140
50,000 kg	50 kg	318 mm	768	57	174	79	146	162	38.6 kg	55 T
160,000 lb	200 lb	13.50 in	37.25	2.75	7.50	3.88	7.25	8.88	150 lb	G-2140
80,000 kg	100 kg	343 mm	946	70	190	99	184	225	68 kg	85 T
220,000 lb	200 lb	14.00 in	43.25	3.25	7.50	4.74	7.88	11.36	185 lb	G-2140
110,000 kg	100 kg	356 mm	1099	83	190	120	200	288	84 kg	120T
350,000 lb	500 lb	16.00 in	49.25	4.25	9.00	5.24	10.00	12.13	285 lb	G-2140
175,000 kg	200 kg	406 mm	1250	108	229	133	254	308	130 kg	175 T
400,000 lb	500 lb	17.50 in	53.25	4.75	9.50	6.96	11.00	12.88	450 lb	G-2140
200,000 kg	200 kg	445 mm	1353	121	241	177	279	327	204 kg	200 T
500,000 lb	500 lb	19.00 in	64.00	5.00	8.50	8.20	13.00	17.00	575 lb	G-2140
250,000 kg	200 kg	483 mm	1626	127	254	208	330	432	260 kg	250 T

CONSULT FACTORY FOR HIGHER CAPACITIES.

Standard Product Specifications

Accuracy: 0.1% of rated capacity
0.5% on capacities over 50 tons

Display: Four digit 1.0 inch/25mm high

Functions: On/Off, Zero (100%), Peak Hold, Set Points (2 selectable)

Annunciators: Low Battery, Peak Hold, Setpoints I & II

Units Displayed: Pounds, Kilograms, Tons, Metric Tons, Dekanewtons

Operating Time:

Up to 500 hours of continuous use (10 minute auto-shutoff with non-use)

Power: 2 each "C" alkaline batteries

Operating Temperature:

-4° to 140° F (-20° to +60° C)

Enclosure: Corrosion resistant and environmentally sealed

Overload: 200% safe – 500% ultimate

Calibration: Digital

Options and Accessories

- Top and bottom shackles (Crosby or equal)
- Portable carrying case (up to 50 tons)
- Dual display remote control hardwired with 25 ft. (7.6m) of cable (optional lengths available)
- Quick disconnect for remote display option
- Analog output (from load sensor only)
- RS-232 output (available for hardwired remote display option only)
- Audible set point alarm



Specifications subject to change without notice.

PUB.147-01-91J Printed in U.S.A.
© 2008 by Measurement Systems International



14240 Interurban Avenue South STE.200
Seattle, Washington 98168-4661 U.S.A.
Phone: 206-433-0199 • Fax: 206-244-8470
Web: www.msiscales.com • Email: info@msiscales.com