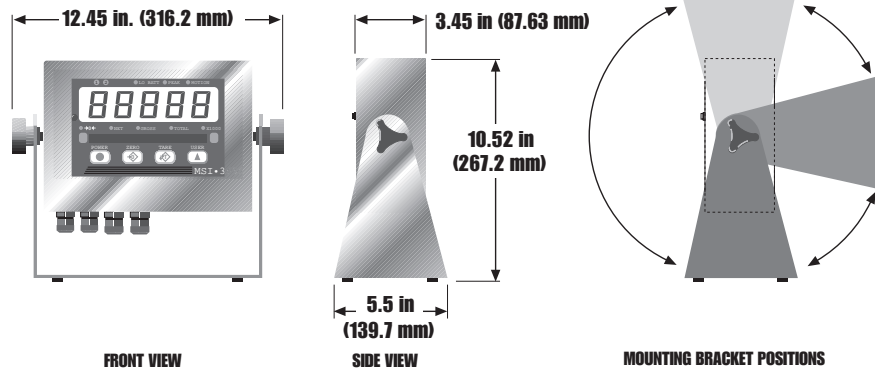


MSI-3550 Digital Weight Indicator • SPECIFICATIONS



STANDARD PRODUCT SPECIFICATIONS

Accuracy: Meets HB-44 Class III/IIIL (COCs pending)

Display: 5 digit, 1.2 in/30 mm high manual or photocell LED brightness control

Filtering: Low, Medium or High selectable

Units: Pounds or Kilograms selectable

Displayable Resolution: 10,000 divisions standard (up to 100,000 available)

Internal Resolution: 1,048,576 counts

Increments (d): Multiples or submultiples of X1, X2, X5; down to X0.0001, up to X10,000

Load Cells: Drives up to eight 350Ω load cells

Sensitivity: 0.3 microvolt per displayed digit minimum. Suitable for load cells from 0.5mV/V to 20mV/V

Drift: Zero: <5PPM/°C (with AZM)

Span: <15PPM/°C

Capacity: Any capacity up to 99,999,000 (99,999 x 1,000)

Over Capacity: Indicates "Error Overload" when the set capacity is exceeded by 9 'd'

Power: 85-265 VAC surge protected

Auto-Off Mode: Select for 12 min., 1 hr. or off

Auto-Sleep Mode: Power reduction during non-use and power up with motion for maximum battery conservation

Service Counter: Stores number of load cycles for maintenance and inspection reminder

Enclosure: Stainless steel NEMA IV/IP 65

Mounting Bracket: 180° swing for wall or bulkhead mounting

Operating Temperature Range: -4° to +122° F (-20° to +50° C)

RS-232 Input/Output:

- Baud rates: 300, 600, 1200, 2400, 4800, 9600, and 19,200
- # Data bits: 7, 8
- Parity: none, odd, even
- Handshaking: none, RTS/CTS, XON/XOFF
- Stop bits: 1 bit, 2 bits
- Serial modes: off, talk only, listen only, full duplex
- Will output when triggered: on demand (User key), on a change, continuous, CTS, setpoint 1, setpoint 2, setpoints 1 & 2, on load, and on total

Totalization: Up to 99,999,000 totaled with weighments counter

Print: Six selectable print strings (five pre-formatted, one custom)

Calibration: Fully digital

Warranty: One year

FUNCTION SWITCHES AND LIGHTS

Power: Turns unit on or off

Zero: Zeros applied load up to 100% of capacity (limited range with NTEP option)

Tare: Tares out applied load and displays weight in net mode. Push again to return to gross mode. Keyboard Tare (0-9) with infrared remote option.

User: User programmable multifunction pushbutton for use as Print, Test, Unit select, Net/Gross, Total (auto or manual), Peak Hold and Setpoints

Annunciators: Center of Zero, Net, Gross, Total, Peak, x1000, battery, lb/kg, motion, SP1 and SP2

OPTIONS AND ACCESSORIES

- External battery pack (with charger) provides up to 130 hours of operation
- Infrared remote controller with 8 meter (25 ft.) operating range
- Two 10 amp internal relays to trigger external warning lights, control relays or alarms
- NTEP certification (specific approvals may be pending. Contact factory for availability)

